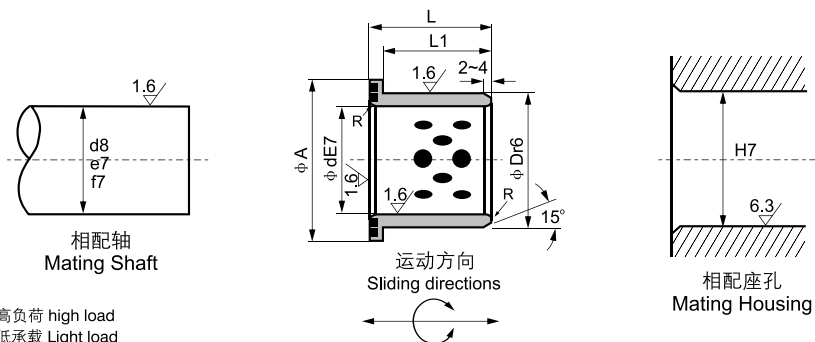


JDBB 自润滑翻边轴承 JDBB Oilless Flange Bushes

www.st-bearing.com



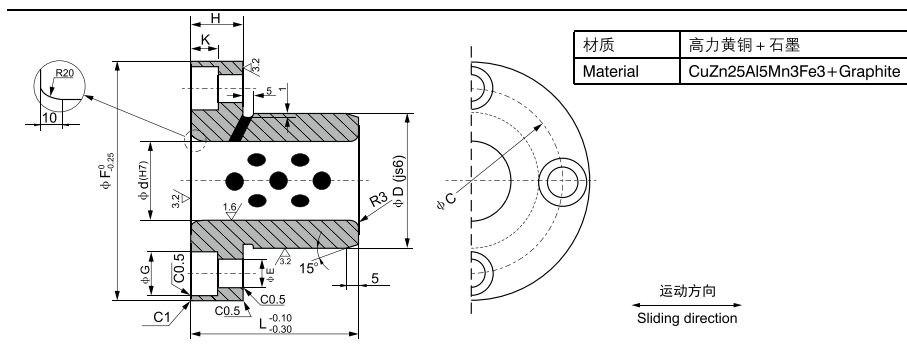
d8: 高负荷 high load
e8: 低承载 Light load
f7: 高精度 High precision

材质	高力黄铜 + 石墨
Material	CuZn25Al5Mn3Fe3 + Graphite

订货代号 Stanard No.	Φd	E7	ΦD	r6	ΦA	L1	L
JDBB-12 × 15	12	+0.050 +0.032	18	+0.034 +0.023	25	11	15
JDBB-16 × 20	16		22	+0.041 +0.028	30	15	20
JDBB-20 × 25	20	+0.061 +0.040	28		+0.050 +0.034	36	20
JDBB-25 × 30	25		33	43		25	30
JDBB-30 × 35	30	+0.075 +0.050	38	+0.060 +0.041	48	30	35
JDBB-40 × 45	40		50		60	40	45
JDBB-50 × 55	50		62		75	49	55
JDBB-60 × 65	60	+0.090 +0.060	75	+0.062 +0.043	90	58	65

How to order: Part No. d D L
订单方式: JDBB 12 18 15

HGB 自润滑导向套 HGB Self-lubricant Guide Bushes



材质	高力黄铜 + 石墨
Material	CuZn25Al5Mn3Fe3 + Graphite

项目 NO.	代号 Code	尺寸 Spcification	ΦF	ΦD (js6)	Φd (H7)	H	L	ΦC	ΦE	ΦG	K
1	30	90 × 50 × 30 × 50	90	50	30	20	50	70	11	17.5	10.8
2	40	100 × 60 × 40 × 65	100	60	40	20	65	80	11	17.5	10.8
3	50	125 × 75 × 50 × 80	125	75	50	20	80	100	11	17.5	10.8
4	60	135 × 85 × 60 × 100	135	85	60	20	100	110	11	17.5	10.8
5	80	170 × 110 × 80 × 130	170	110	80	25	130	140	14	20	13
6	100	190 × 130 × 100 × 160	190	130	100	25	160	160	14	20	13

How to order: Part No. d D L
订单方式: JFB 30 50 50