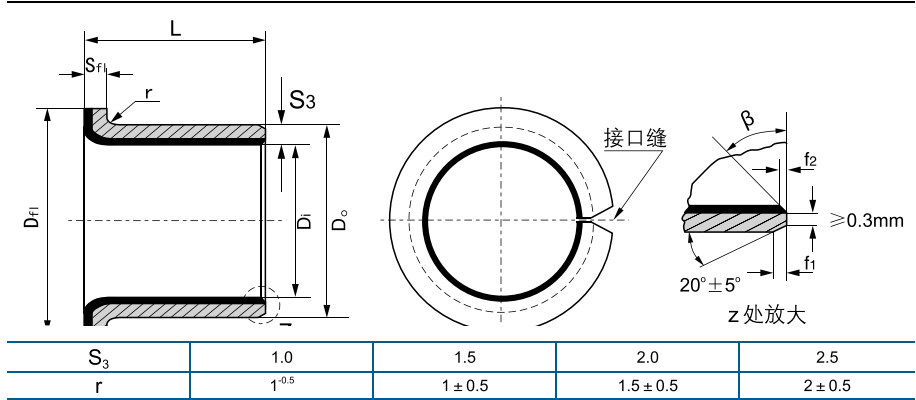


SF-1F 系列自润滑复合法兰轴套 SF-1F Oilless Flange Bushing

www.st-bearing.com



轴径 (f7) Shaft D _s	座孔 (H7) Housing D _H	(OD) 外径公差 Tolerance D _O	(ID)压装后 内孔公差 After fixed D _{ia}	配合间隙 Clearance C _O	Designation 型号规格	Wall thickness 壁厚 S ₃	尺寸 Dimension				
							D _i	D _O	D _H ± 0.5	L ± 0.25	S _{fi} - 0.2
6 -0.013 -0.028	8 +0.015	8 +0.055 +0.025	6.055 5.990	0.077 0.000	SF-1F 06040	1.005 0.980	6	8	12	4	1
					SF-1F 06070					7	
8 -0.013 -0.028	10 +0.015	10 +0.055 +0.025	8.055 7.990	0.083 0.003	SF-1F 08055	1.005 0.980	8	10	15	5.5	1
					SF-1F 08075					7.5	
10 -0.016 -0.034	12 +0.018	12 +0.055 +0.025	10.058 9.990	0.086 0.003	SF-1F 10070	1.005 0.980	10	12	18	7	1
					SF-1F 10090					9	
					SF-1F 10120					12	
12 -0.016 -0.034	14 +0.018	14 +0.065 +0.030	12.058 11.990	0.092 0.006	SF-1F 12070	1.005 0.980	12	14	20	7	1
					SF-1F 12090					9	
					SF-1F 12120					12	
					SF-1F 14120					12	
14 -0.016 -0.034	16 +0.018	16 +0.065 +0.030	14.058 13.990	0.092 0.006	SF-1F 14170	1.005 0.980	14	16	22	17	1
					SF-1F 15090					9	
					SF-1F 15120					12	
15 -0.016 -0.034	17 +0.018	17 +0.065 +0.030	15.058 14.990	0.092 0.006	SF-1F 15170	1.005 0.980	15	17	23	17	1
					SF-1F 16120					12	
					SF-1F 16170					17	
16 -0.016 -0.034	18 +0.018	18 +0.065 +0.030	16.058 15.990	0.092 0.006	SF-1F 18120	1.005 0.980	16	18	24	12	1
					SF-1F 18170					17	
					SF-1F 18200					20	
18 -0.016 -0.034	20 +0.021	20 +0.075 +0.035	18.061 17.990	0.095 0.006	SF-1F 20115	1.505 1.475	18	20	26	17	1.5
					SF-1F 20165					20	
					SF-1F 20215					21.5	
20 -0.020 -0.041	23 +0.021	23 +0.075 +0.035	20.071 19.990	0.112 0.010	SF-1F 22150	1.505 1.475	20	23	30	11.5	1.5
					SF-1F 22200					20	
					SF-1F 25115					11.5	
					SF-1F 25215					21.5	
22 -0.020 -0.041	25 +0.021	25 +0.075 +0.035	22.071 21.990	0.112 0.010	SF-1F 25165	1.505 1.475	22	25	32	15	1.5
					SF-1F 25215					20	
					SF-1F 30160					16	
25 -0.020 -0.041	28 +0.021	28 +0.075 +0.035	25.071 24.990	0.112 0.010	SF-1F 30260	1.505 1.475	25	28	35	26	1.5
					SF-1F 35160					16	
					SF-1F 35260					26	
30 -0.025 -0.050	34 +0.025	34 +0.075 +0.035	30.085 29.990	0.126 0.010	SF-1F 40260	2.005 1.970	30	34	42	26	2
					SF-1F 35160					16	
					SF-1F 35260					26	
35 -0.025 -0.050	39 +0.025	39 +0.085 +0.045	35.085 34.990	0.135 0.015	SF-1F 40400	2.005 1.970	35	39	47	26	2
					SF-1F 40260					26	
					SF-1F 40400					40	
40 -0.025 -0.050	44 +0.025	44 +0.085 +0.045	40.085 39.990	0.135 0.015	SF-1F 40400	2.005 1.970	40	44	53	40	2
					SF-1F 40400					40	